

The distinctively modern Turbo cylindrical light column is a powerful outdoor LED solution for general illumination and area lighting. The Turbo light column has symmetric optics with beam spread options 20° or 40° as well as two different lumen output options.

**Universal 120-277V driver with integral transient surge protection**

**Outstanding protection against the elements:**

- Powder coat finishes
- Stainless Steel mounting hardware
- Impact-resistant, UV stabilized frosted acrylic lensing

**Beam spread options, 20 degree and 40 degree**

SPECIFICATIONS

DELIVERED LUMENS	2100 or 4517
WATTS	28 or 60
VOLTAGE	Universal 120-277V, with integral transient 2.5kV surge protection (driver)
SECONDARY SURGE PROTECTOR	10kA
DIMMING	0-10
LIGHT DISTRIBUTION	Symmetric
OPTICS	20° or 40°
MOUNTING OPTIONS	Bolt
PERFORMANCE OPTIONS	Photocontrol / In-line Fuse
CCT	3000K or 4000K
CRI	80
COLOR BINNING	3 Step
BUG RATING	B1-U2-G0
DARK SKY	Compliant
WET LISTED	IP65
GENERAL LISTING	ETL
CALIFORNIA TITLE 24	Can be used to comply with CEC 2019 Title 24 Part 6 for outdoor use. Registration with CEC Appliance Database not required.
START TEMP	-30°C
FIELD SERVICEABLE LED	Yes
CONSTRUCTION	Aluminum
HARDWARE	Stainless Steel
FINISH	Powder Coat
LED LIFETIME	L70; >60,000 Hours
WARRANTY*	5 Years
WEIGHT	70 lbs.



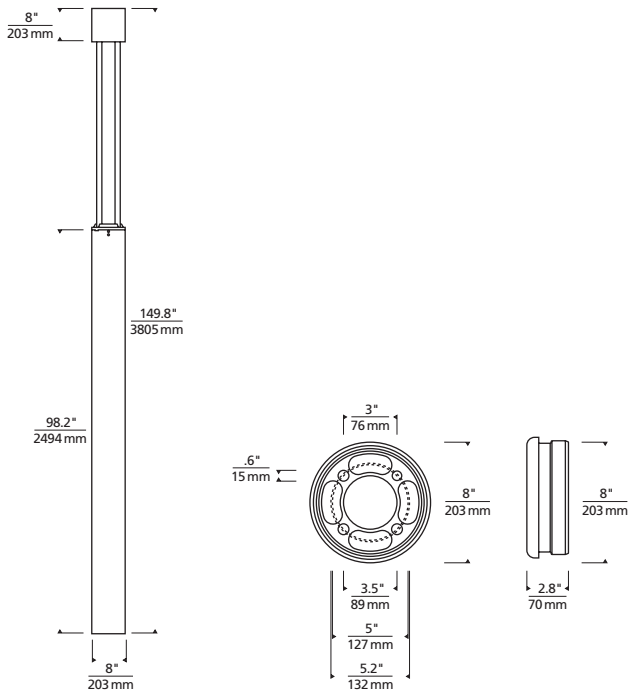
TURBO COLUMN shown in bronze

TURBO COLUMN shown in charcoal

\* Visit [techlighting.com](http://techlighting.com) for specific warranty limitations and details.

ORDERING INFORMATION

PRODUCT	CRI/CCT	LENGTH	BEAM SPREAD	FINISH	VOLTAGE	OUTPUT	DISTRIBUTION	OPTIONS
7000CTUR	830 80 CRI, 3000K	12 12'	20 20° NARROW	Z BRONZE	UNV 120V-277V	1 60W / 4517 LUMENS	S SYMMETRIC	NONE
	840 80 CRI, 4000K		40 40° WIDE	H CHARCOAL		2 28W / 2100 LUMENS		PC BUTTON PHOTOCONTROL
								LF IN-LINE FUSE
								PCLF BUTTON PHOTOCONTROL & IN-LINE FUSE



Turbo Column

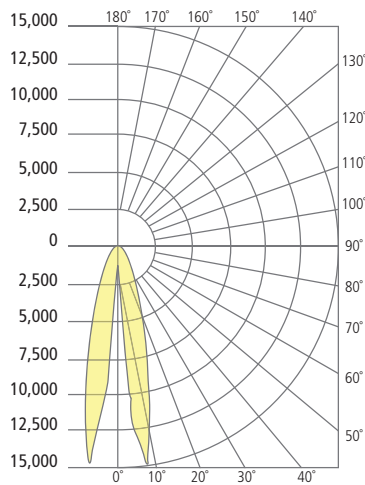
Anchor Plate Bolt Pattern

## PHOTOMETRICS\*

\*For latest photometrics, please visit [www.techlighting.com/OUTDOOR](http://www.techlighting.com/OUTDOOR)

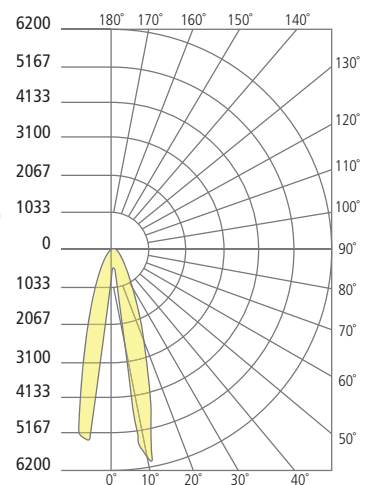
### TURBO COLUMN 40° LOW OUTPUT

Total Lumen Output: 2100  
 Total Power: 28  
 Luminaire Efficacy: 75  
 Color Temp: 4000K  
 CRI: 80+  
 BUG Rating: B1-U2-G0



### TURBO COLUMN 20° HIGH OUTPUT

Total Lumen Output: 4517  
 Total Power: 60.4  
 Luminaire Efficacy: 75  
 Color Temp: 4000K  
 CRI: 80+  
 BUG Rating: B1-U2-G0



## PROJECT INFO

FIXTURE TYPE & QUANTITY

JOB NAME & INFO

NOTES

---



---



---



---



---



---



© 2020 Tech Lighting, L.L.C. All rights reserved. The "Tech Lighting" graphic is a registered trademark. Tech Lighting reserves the right to change specifications for product improvements without notification.